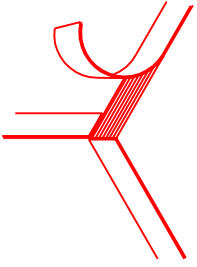


- 3) Drill four 1/8" holes into each M as shown (Fig. 4). Countersink with a 1/4" drill bit about 3/4" deep. Place N next to M and drill through the M. Previously drilled holes, into N with a 1/8" drill bit. Attach hardware screws. Ensure that the frame is square and set aside for glue to set for two hours. Repeat for second door. After they have set and dried, insert and glue 1/4" dowel plugs into the countersink holes. Cut and sand the plug smooth. Place the hinge and doorframe into the cabinet to dry fit for clearance, you may have to trim the door slightly. Insert the glass panels and attach each panel with eight plastic screen clips. Attach the handles according to manufacturer's instructions. Attach the piano hinge to M with the hinge pin just protruding 1/8" beyond the face of the door.
- 4) Build a simple box with pieces G and F as shown (Fig. 5). Glue and nail pieces F to G with 1 1/2" finishing nails. Ensure the box is square, glue and nail on piece U with finishing nails. All edges should be flush. Wipe off excess glue. Place four rods of glue on piece L and attach to the bottom. Insert it into the cabinet. Attach piano hinges to countersink through G. Attach the side mount drawer guides to pieces F and W, most hardware comes with instructions, follow them carefully. The drawers are sized to use 1/2" sidemount hardware.
- 5) Assemble shelves as shown (Fig. 6) by gluing and nailing pieces S to pieces D and E with 1" finishing nails. Glue and nail on pieces Q and R with 1" finishing nails. If using hardwood, pre-drill pilot holes in shelves to prevent splitting. Wipe off excess glue.
- 6) Attach piano hinges and handles to doors K the same way you did in step 3. Install the doors by screwing the other side of the piano hinge to pieces A. Ensure the doors swing properly. Attach magnetic catches to the doors and pieces J and H to prevent the doors from swinging open on their own.
- 7) Iron on edge tape (Illustration 2) on edges of A, K, J, and B. Sand and finish with your choice of stain and varnish, or oil. Insert shelves using the shelf brackets. Install the light fixture if you wish behind piece J, run the cord along the upper corner and drill a hole in the back of I to exit.

**EDGE TAPE
ILLUSTRATION 2**



**SCREEN DOOR
CLIPS**



- TOOLS**
- Table Saw and Jigsaw
 - Pencil and Measuring Tape
 - Power or Hand Drill
 - 1/16", 1/8", 1/4", 3/8" drill bits
 - Hammer and Screwdrivers
 - Square and Nail Set
 - Plane and Wood Chisels
 - Wood Rasp
 - Paint Brush and Putty Knife
 - Bar Clamps (optional)
 - Power Sander (optional)
 - Router (optional)

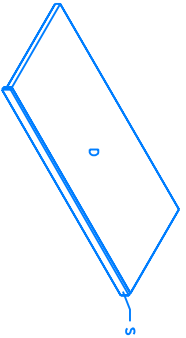


FIGURE 6

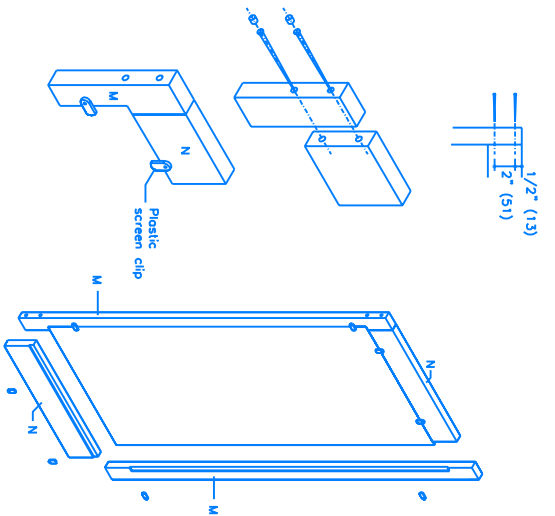


FIGURE 4

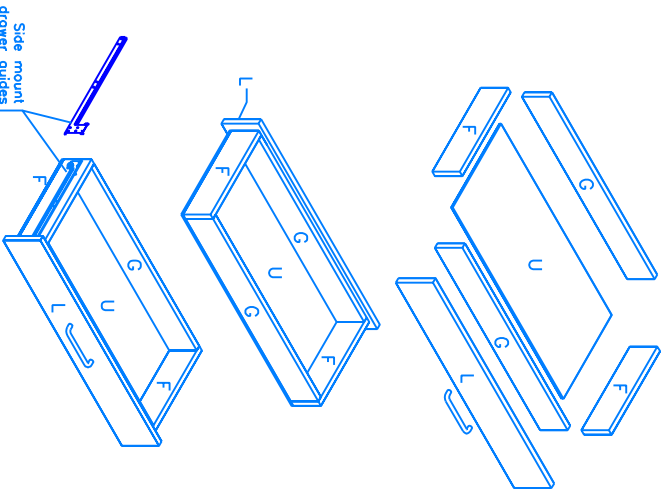


FIGURE 5

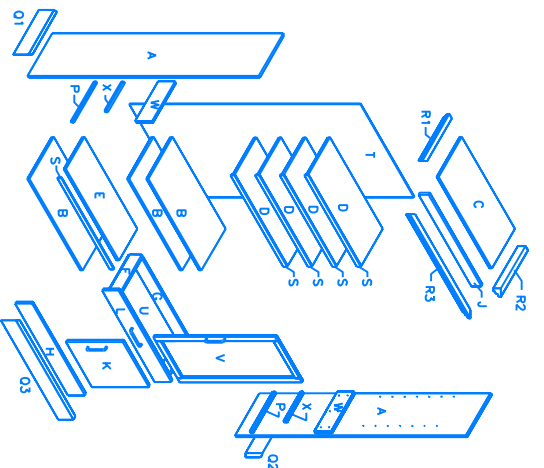
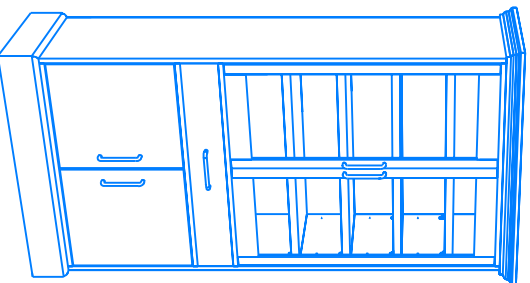


FIGURE 7



COMPLETED PROJECT